



FNMOC and the JSH

Jim Vermeulen, FNMOCC

October 25, 2016



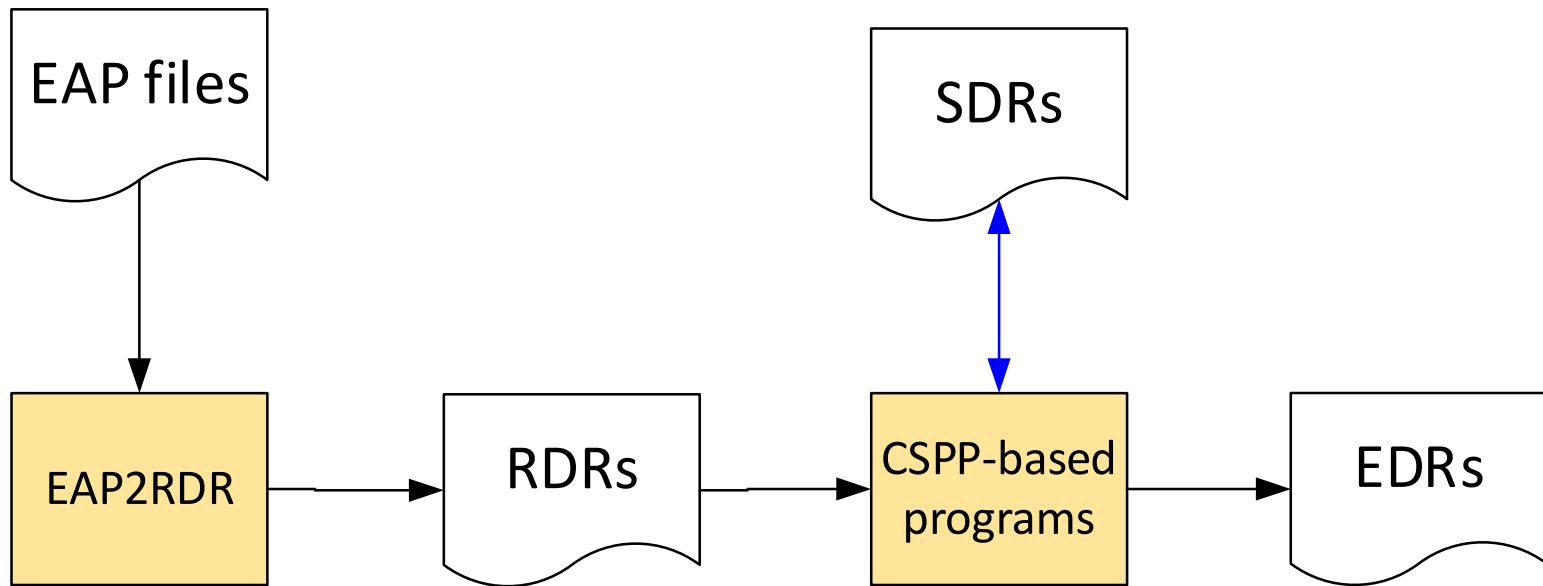
What is JSH?

- Joint Polar Satellite System (JPSS) Stored Mission Data Hub
- First satellite to use JSH launched October 2011:
 - Suomi National Polar-orbiting Partnership (S-NPP)
 - JPSS-1 will launch in FY2017
 - JPSS-2 will launch in FY2022
- NOAA also uses JSH for mission partner assets such as JAXA GCOM-W satellites
- JSH pushes raw data files (Extended Application Packet, EAP, files) to FNMOC



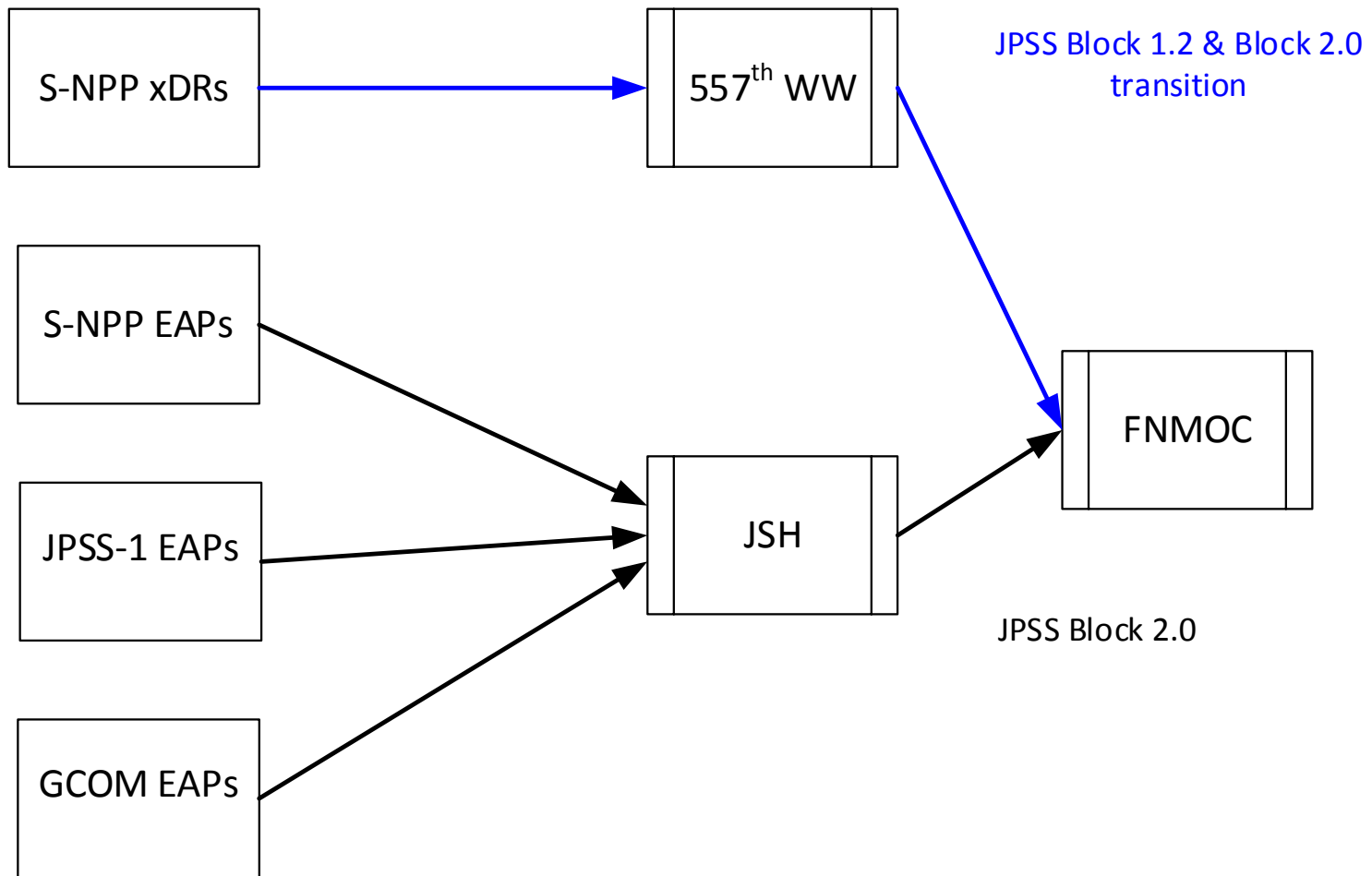
MMSPS System

System Processing Flow -- Overview





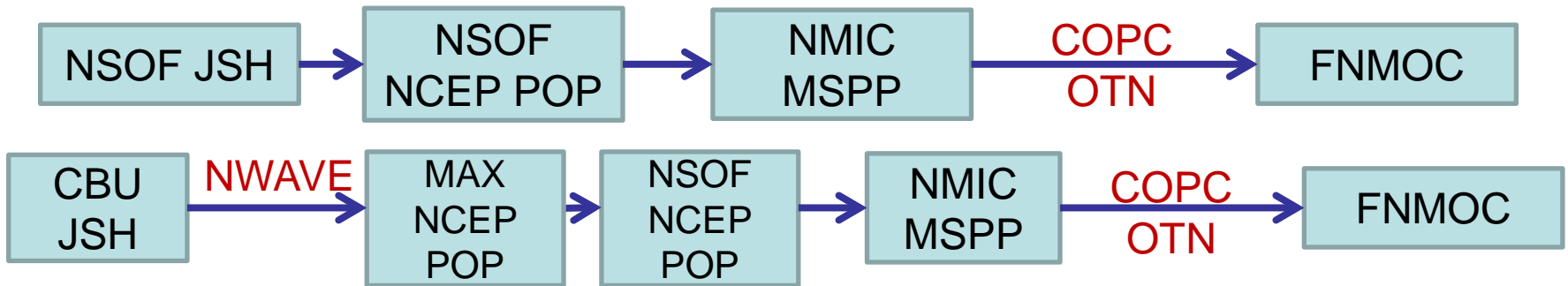
JPSS Block 2.0



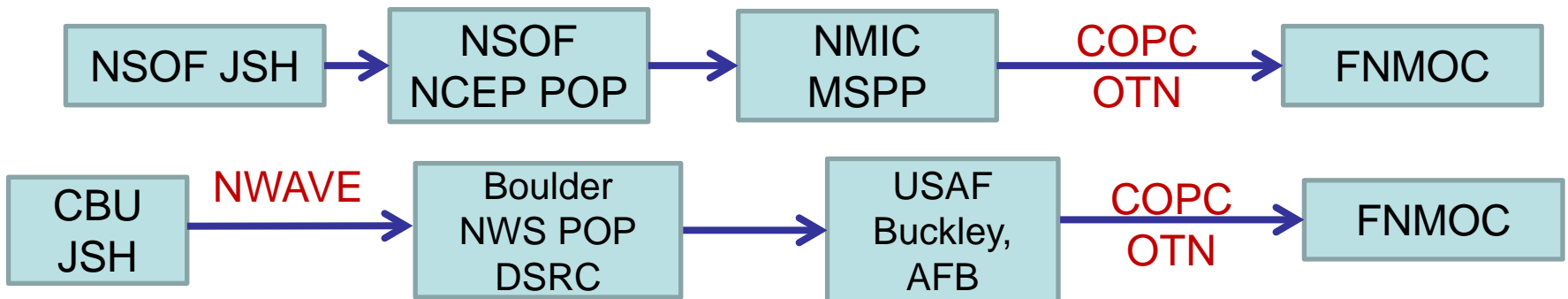


JSH Data Paths

Current



Planned, with COPC Assistance





Issues

- **Throughput:**
 - Seeing throughput of around ½ MB/sec.
 - Need about 5 MB/sec to get S-NPP in 15 min.
 - So need a speedup of about 10X, through either larger FTPS window sizes and/or multiple parallel sessions.
- **Data for use in software integration:**
 - Would like to be receiving ATMS and OMPS data on an ongoing basis (in addition to GCOM), which we can handle easily even at the current throughput.
 - This would provide experience with real-world data issues and would allow end-to-end processing to run in integration mode.



QUESTIONS ?